

HT1111LC

Hardness testing motorized industrial stage

The HT1111LC industrial hardness testing XY stage can withstand point loads of up to 100 kg without compromising its positioning performance.

This high load capacity makes it well suited to other heavy-duty industrial applications or as a microscope translation stage. It forms the base of the HT11 Series of heavy duty stages for whole animal and industrial imaging.

The HT1111LC uses Prior's patented Intelligent Scanning Technology (IST) to optimize stage accuracy and linearity under challenging load conditions.



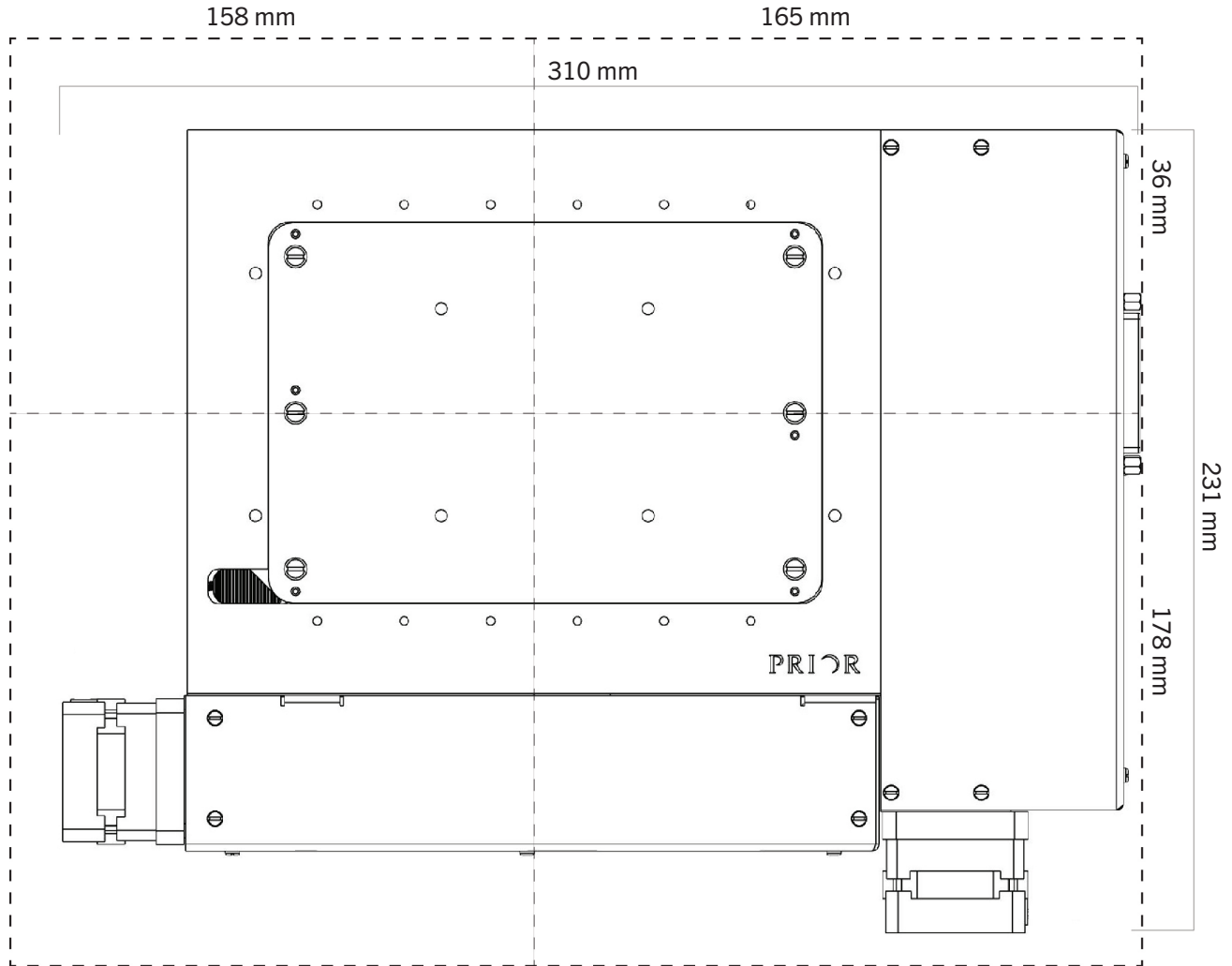
Key Features

- Supports up to 100 kg mass or point load.
- Intelligent Scanning Technology™ (US Patent 7,330,307).
- Full DLL/SDK available for use with OEM software integration.
- Tough, scratch resistant coating.

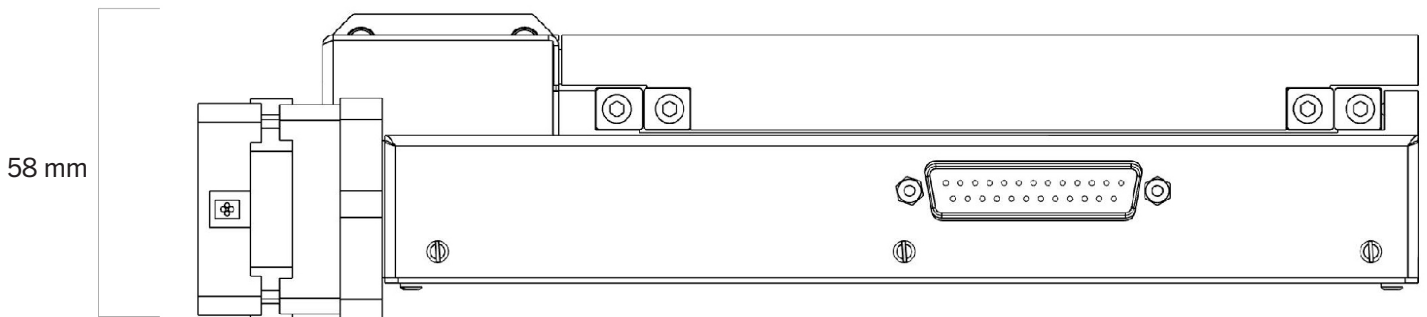
Applications

- Industrial microscopy

Dimensions*



*Outer dotted line shows the maximum footprint of the stage when at the limits of travel.



Specifications

HT1111LC

Travel range	108 mm x 108 mm
Unidirectional repeatability ¹	< 0.6 µm
Bidirectional repeatability ¹	< 2.5 µm
Metric accuracy ¹	0.16 µm/mm
Full travel metric accuracy	<16.0 µm
Resolution ²	0.02 µm
Squareness ¹	< 40 arcsec
Maximum velocity ³	30 mm/s
Maximum load	100 kg
Encoders	No
Motor type	400 step
Screw pitch	2 mm
Weight	5 kg

1. As per Prior Scientific's test methodology, typical value.

2. Defined as the minimum motor step resolution for non-encoded stages, defined as the encoder resolution for encoded stages.

3. Defined as 2.5x the default velocity, true maximum velocity is dependent on sample mass.

Ordering Information

Part Number	Description
HT1111LC	Hardness testing stage, travel range 108 mm x 108 mm, with 2 mm pitch lead screws and 400 step motors, can accept significant point source payloads.

UNITED KINGDOM

Prior Scientific Instruments Ltd.
Units 3-4 Fielding Industrial Estate
Wilbraham Road, Fulbourn
Cambridge, CB21 5ET
United Kingdom
Email: inquiries@prior.com
Phone: +44 (0)1223 881711

U.S.A.

Prior Scientific, Inc.
80 Reservoir Park Drive
Rockland, MA. 02370
U.S.A.
Email: info@prior.com
Phone: +1 781 878 8442

GERMANY

Prior Scientific Instruments GmbH
Maria-Pawlowna-Str. 4
D-07743, Jena, Germany
Email: jena@prior.com
Phone: +49 (0)3641 242 010

JAPAN

Kayabacho 3rd Nagaoka Bldg 10F,
2-7-10, Nihonbashi Kayabacho, Chuo-Ku,
Tokyo103-0025, Japan
Email: info-japan@prior.com
Phone: +81 (0)3 5652 8831

CHINA

Prior Scientific Instruments (Suzhou) Ltd.
Room 118, Meilihua Hemu Park
No. 393 Suhong Middle Road, Suzhou Industrial Park
Suzhou, 215000, China
Email: info-china@prior.com
Phone: +86 (0)512 6617 5866

